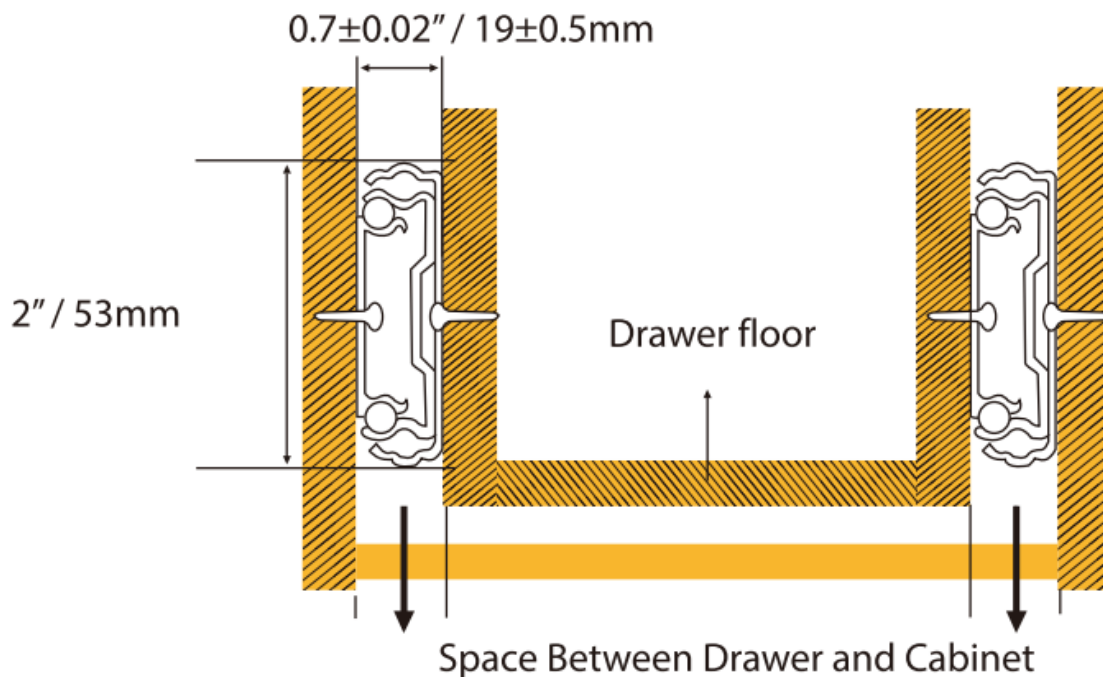


2053 Drawer Slides Installation Precautions

Precautions

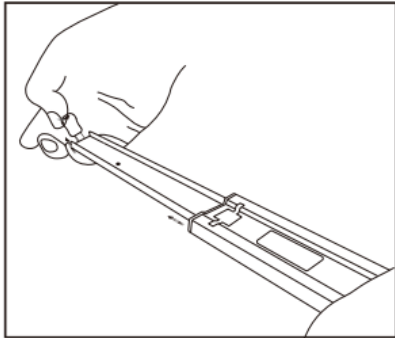
Before installation, please check runners are in perfect working condition. Warranty can be claimed if manufacturing defects are found before installation. Warranty will be **voided** if runners are damaged due to **incorrect installation**.

- For locking version, runners should be installed in a way that pressing down the lever to unlock
- It is critical to keep both sides of runners **parallel** and **levelled**.
- It is critical to keep the space between Drawer and Cabinet to be **19+/-0.5mm**. If the gap is **too wide and/or not parallel** throughout the drawer, the runners will be forced to separate causing permanent damage.
- For lockable version, if the inner member is pulled out all the way, they cannot be swapped to mate with the opposite side of the outer member, or permanent damage can be made to the slides.

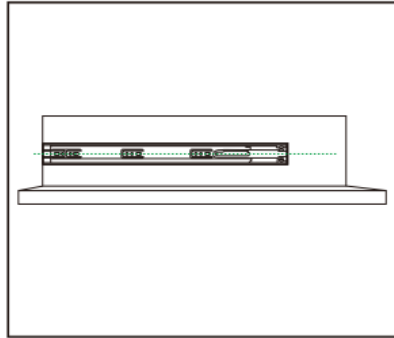


Flip back side for Installation Instructions

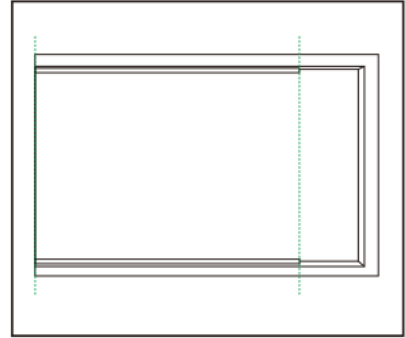
Installation Instructions



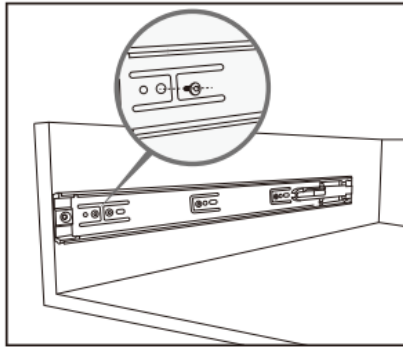
Step 1 Separate drawer and base portion before mounting with provided lever



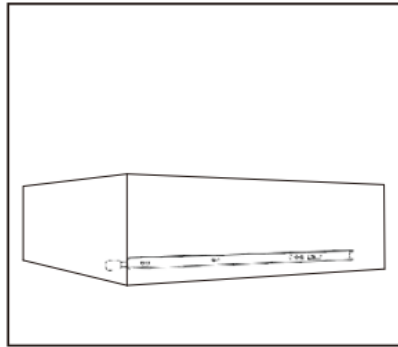
Step 2 Make sure the slides are levelled during the installation process



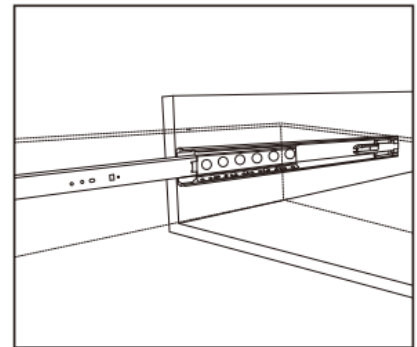
Step 3 Place the outer member flush with the front edge of cabinet



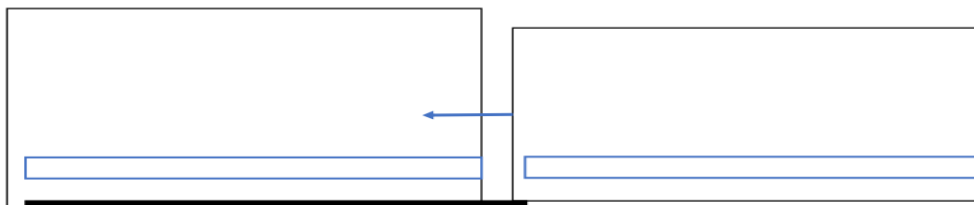
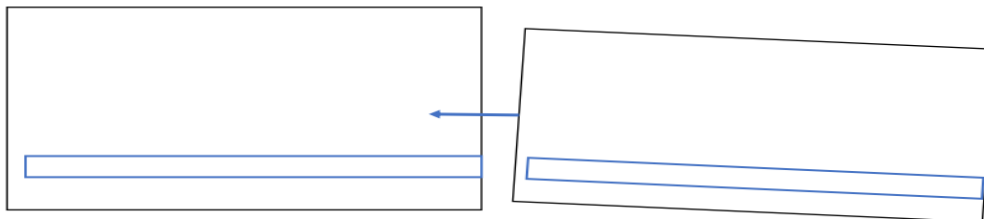
Step 4 Mount the screws in the permanent mounting (breathing) holes



Step 5 Adjust and level the inner member, mount the screws in the permanent mounting holes



Step 6 Move the metal retainer to the front of cabinet member and insert the drawer box carefully



Use a packing board to make sure parallel insertion, then removed it after insertion.